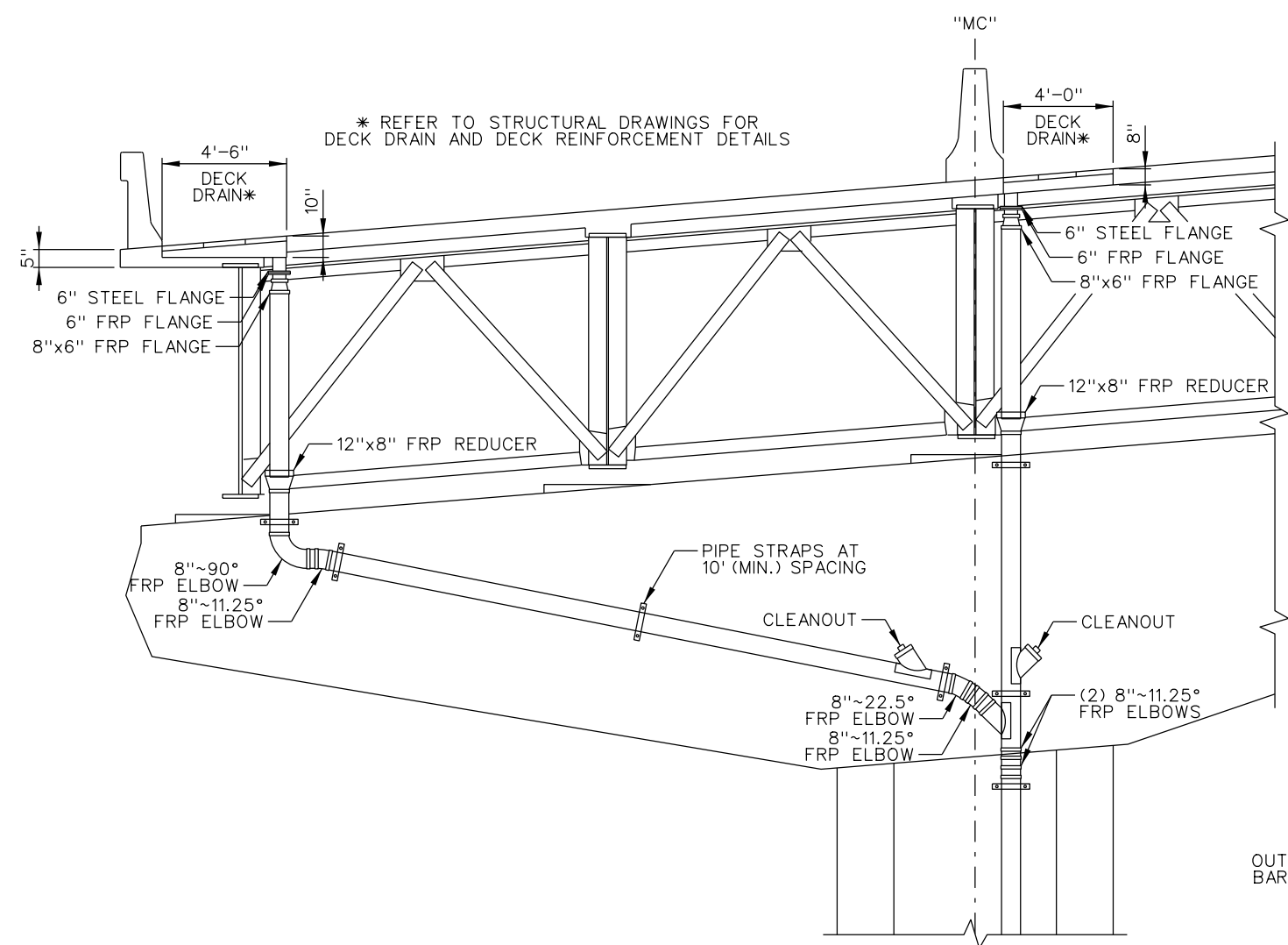


STATE	PROJECT NO.	COUNTY	SHEET NO.
NEVADA	NH-STP-015-1 (147)	CLARK	DD14

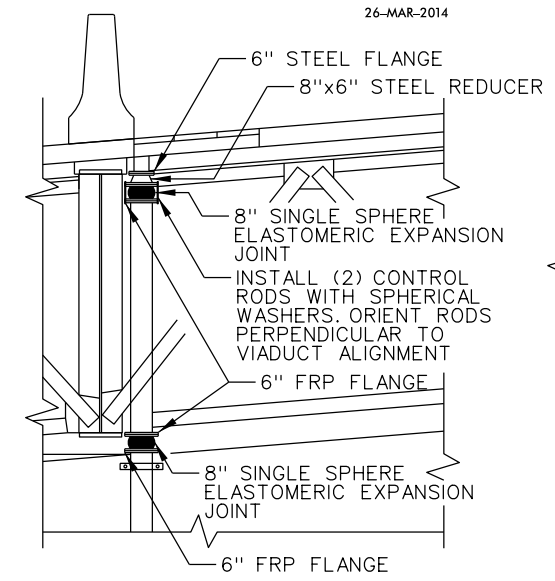
PRELIMINARY

SUBJECT TO REVISION
26-MAR-2014

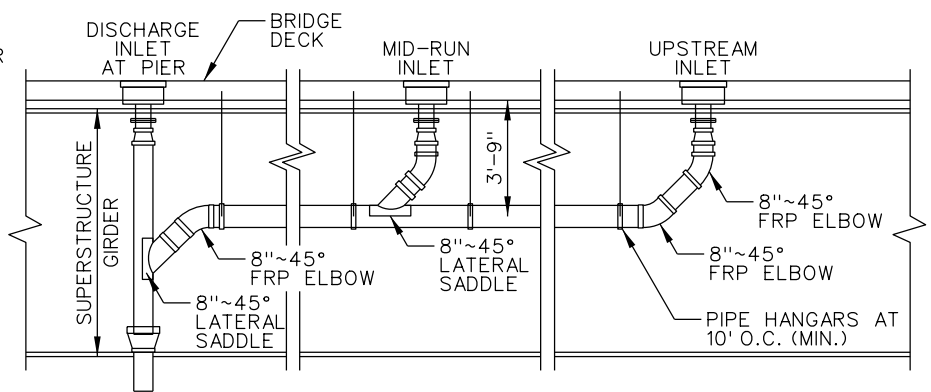
PROJECT NEON P3 PHASE REFERENCE DESIGN - PRELIMINARY - NOT FOR CONSTRUCTION - SUBJECT TO CHANGE



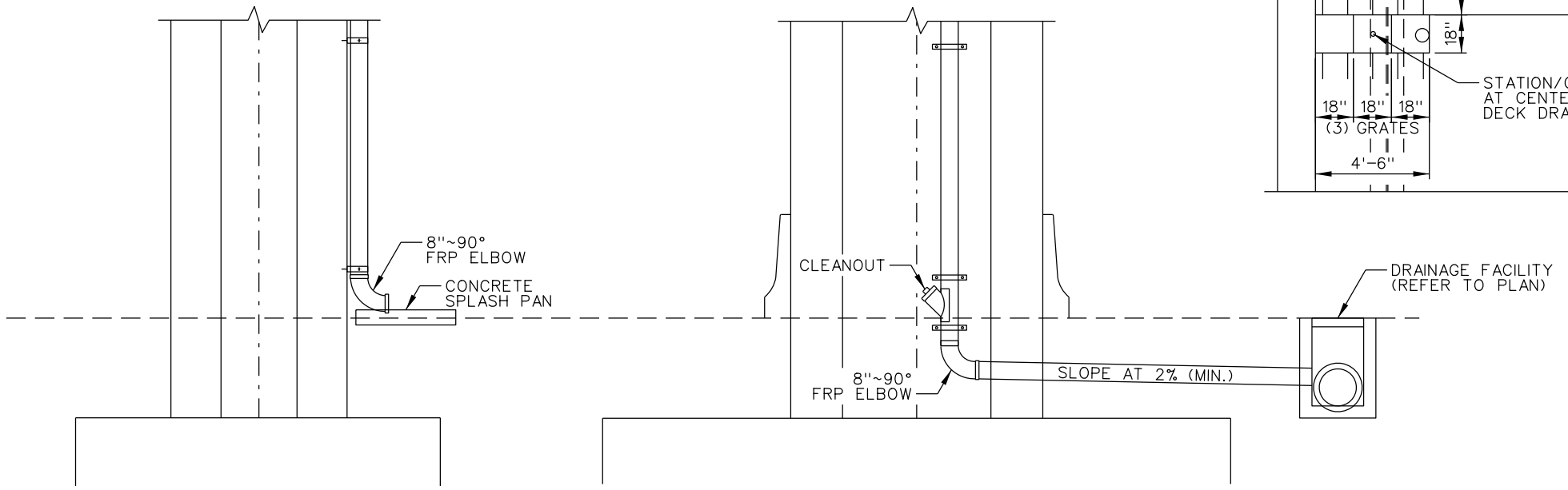
PIER DOWNDRAIN PIPE SYSTEM



DOWNDRAIN AT EXPANSION JOINTS

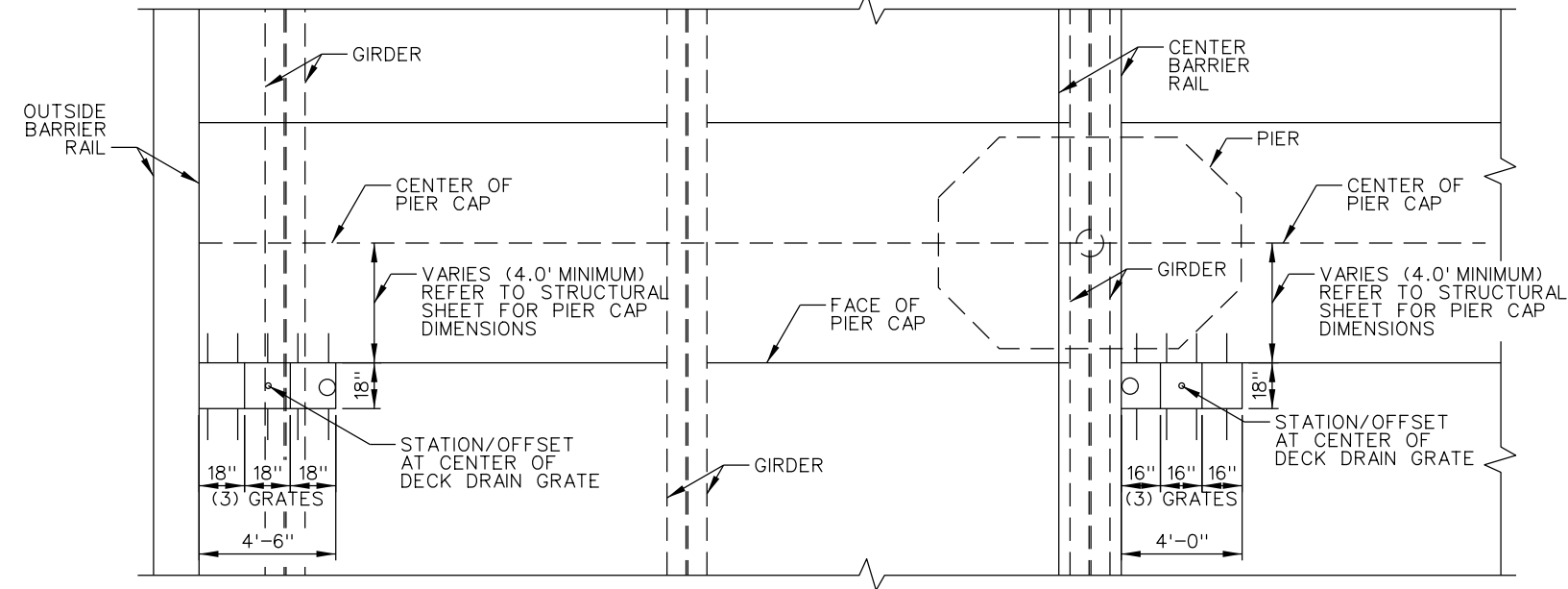


LONGITUDINAL PIPE SYSTEM



DISCHARGE TO SURFACE

DISCHARGE TO STORM DRAIN



TYPICAL PLAN VIEW

* REFER TO STRUCTURAL DRAWINGS FOR DECK DRAIN AND DECK REINFORCEMENT DETAILS

STATE OF NEVADA
DEPARTMENT OF TRANSPORTATION
PROJECT NEON - P3 PHASE REFERENCE DESIGN
**US 95
DRAINAGE DETAILS**